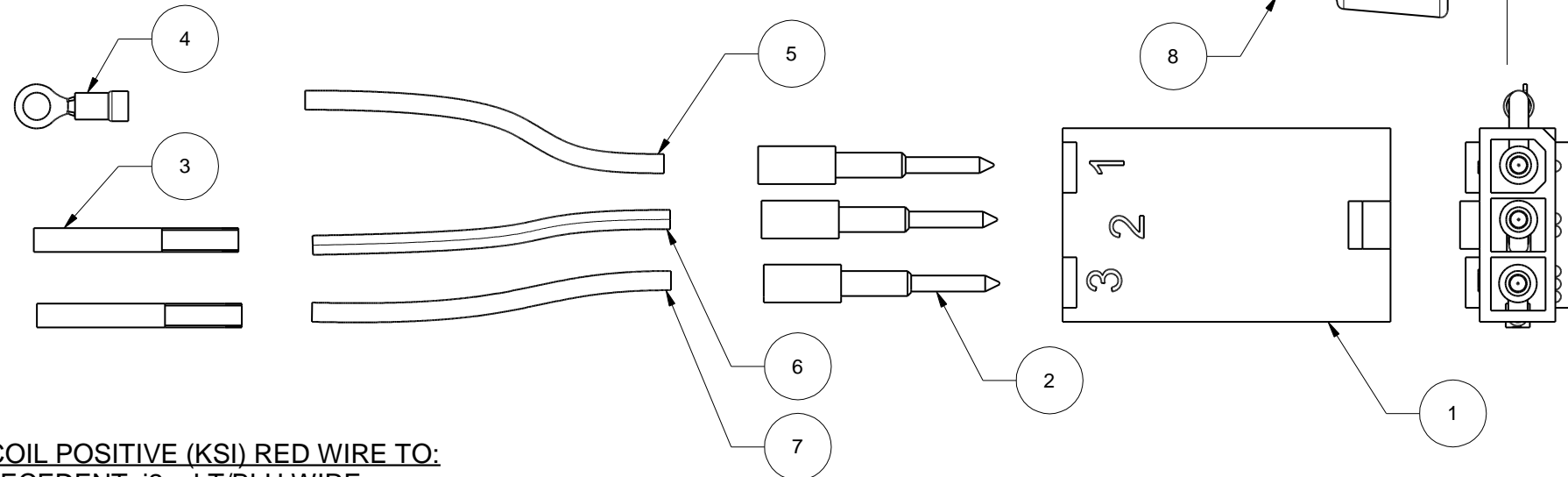


ALLTRAX PART NUMBER: CBL511-004

REVISIONS				
ZONE	REV	DESCRIPTION	DATE	APPROVED
	A	INITIAL RELEASE	5-16-2016	
	B	CORRECT IQ AND PRECEDENT WIRE TO EMPTY OR GREEN/WHT WIRE FOR PIN #4	8-16-2016	



IQ SOL COIL POSITIVE (KSI) RED WIRE TO:
 >IQ, PRECEDENT, i2 = LT/BLU WIRE
 >PD+ = BLU WIRE
 >DS 1995 & UP = WHT/BLK WIRE
 ** OR SPLICE INTO TAN WIRE PIN 10 **

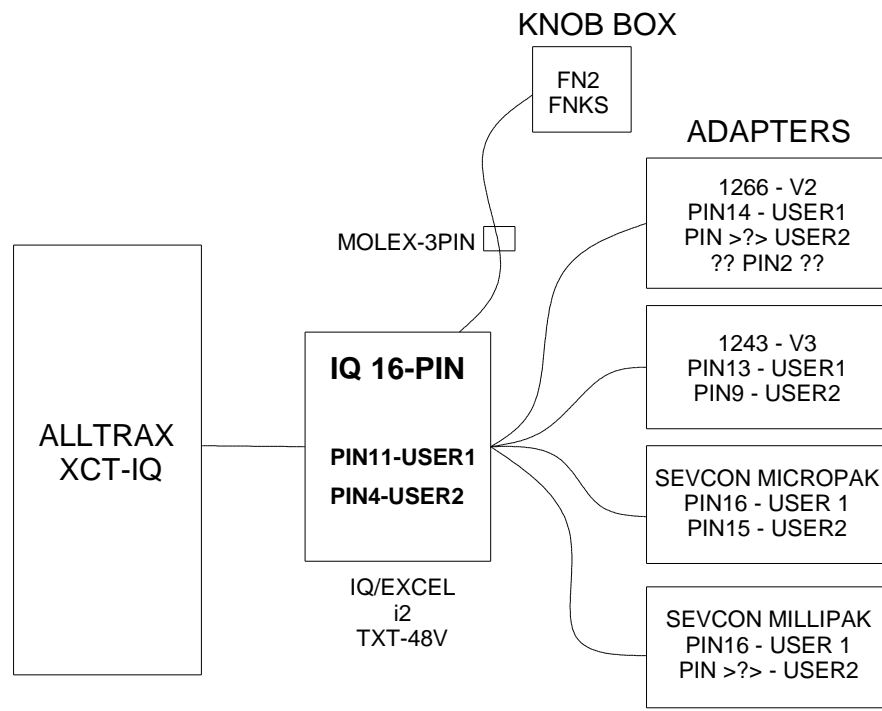
IQ CONN - PIN-11 WHT USER1

IQ CONN - PIN 4 BLK USER2
 (EMPTY PIN - OR CUT GRN/WHT)

UIC PIN 1 KSI RED
 UIC PIN 2 WHT USER 1
 UIC PIN 3 BLK USER 2

TAB TOP FACING YOU

ITEM	QTY	Part Number	Part Name	REV	Comment
1	1	CON301-015	Molex 1x3 Recept 039014036_CON		
2	3	CON301-013	Molex PIN CRIMP 39-00-0041_CON		
3	2	CON301-005	CON301-005_Molex Socket Crimp		FEMALE SOCKET
4	1	CON141-007	CON141-007_Ring Red FI-10		KSI Solenoid Coil POS
5	1	WIR151-023_RED-20AWG	WIR150-023_RED-20AWG		KSI PIN 1
6	1	WIR151-015_WHT-20AWG	WIR150-015_WHT-20AWG		USER 1
7	1	WIR151-024_BLK-20AWG	WIR150-024_BLK-20AWG		USER 2
8	1	CON105-022	CON105-022_Molex PN 19160-001		OPEN END SPLICE LT-BLU



Tolerances:
 0.x = ± 0.1"
 0.xx = ± 0.03"
 0.xxx = ± 0.005"
 Angular: ± 1°
 Edge Breaks: 0.01" - 0.015"

THESE DESIGNS AND SPECIFICATIONS ARE THE PROPERTY OF ALLTRAX INC AND SHALL NOT BE COPIED OR USED FOR MANUFACTURING WITHOUT IT'S WRITTEN CONSENT. EC-051216 MATERIAL: FINISH:	DRAWN T.THORNE	DATE 5-16-2016	ALLTRAX INC ADAPTER ASY, FN2 or FNKS to IQ XCT CONTROLLER			
	CHECKED					
	QA		SIZE B	FSCM NO.	DWG NO. CBL511-004-01-A_ASY-FN-XCT-IQ	REV B
	APPROVED		SCALE 1:1	SHEET 1 of 1		