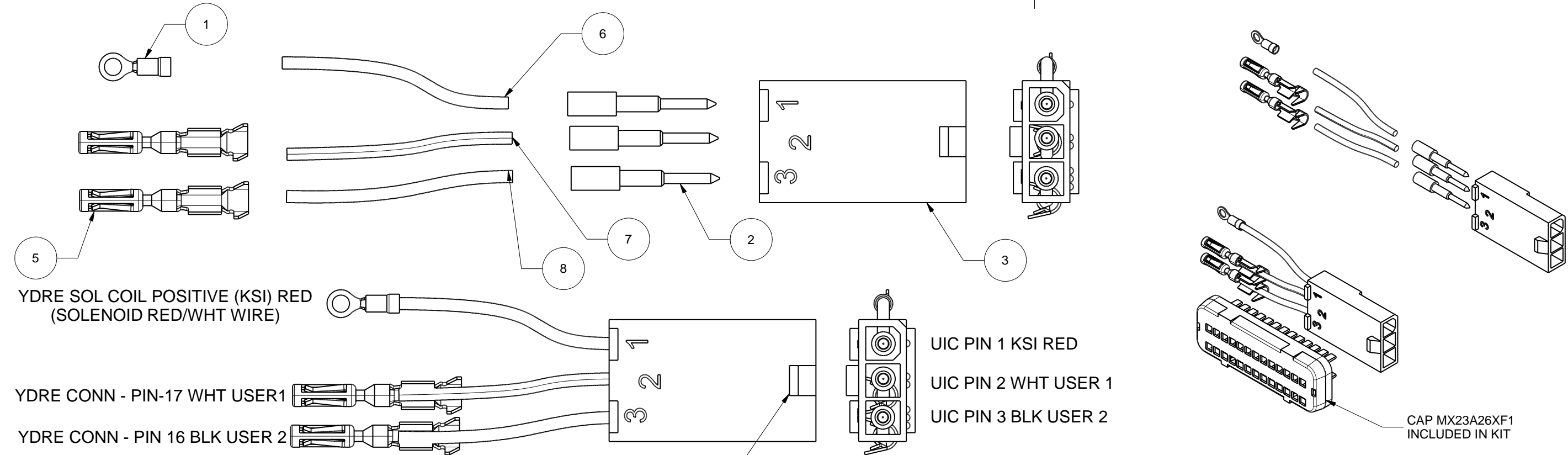


**ALLTRAX PART NUMBER: CBL511-006
FOR YDRE**

REVISIONS				
ZONE	REV	DESCRIPTION	DATE	APPROVED
	A	INITIAL RELEASE	5-18-2016	



YDRE SOL COIL POSITIVE (KSI) RED
(SOLENOID RED/WHT WIRE)

YDRE CONN - PIN-17 WHT USER1

YDRE CONN - PIN 16 BLK USER 2

UIC PIN 1 KSI RED
UIC PIN 2 WHT USER 1
UIC PIN 3 BLK USER 2

CAP MX23A26XF1
INCLUDED IN KIT

TAB TOP FACING YOU

ITEM	QTY	Part Number	Part Name	REV	Comment
1	1	CON141-007	CON141-007_Ring Red FI-10		KSI Solenoid Coil POS
2	3	CON301-013	Molex PIN CRIMP 39-00-0041_CON301-013		
3	1	CON301-015	Molex 1x3 Recept 039014036_CON301-015		
4	1	CON301-017	CON301-017_MX23A26XF1_JAE-CAP-YDRE	A	CAP INCLUDED
5	2	CON301-018	CON301-018_M23S05K351_JAE-SOCKET-YDF		YDRE Sockets
6	1	WIR151-023_RED-20AWG	WIR150-023_RED-20AWG		KSI - PIN1
7	1	WIR151-015_WHT-20AWG	WIR150-015_WHT-20AWG		USER 1 - PIN2
8	1	WIR151-024_BLK-20AWG	WIR150-024_BLK-20AWG		USER 2 - PIN3

SOCKETS FEMALE JAE
CON301-018 = MOUSER 656-M23S05K351
Manufacturer Part #: M23S05K351

CAP - JAE CONNECTOR
CON301-017 = MOUSER 656-MX23A26XF1
Manufacturer: MX23A26XF1

CONNECTOR JAE
CON301-016 = MOUSER 656-MX23A26SF1
Manufacturer: MX23A26SF1

CAP MX23A26XF1
INCLUDED IN KIT

Tolerances:
0.x = ± 0.1"
0.xx = ± 0.03"
0.xxx = ± 0.005"
Angular: ± 1°
Edge Breaks: 0.01" - 0.015"

THESE DESIGNS AND SPECIFICATIONS ARE THE PROPERTY OF ALLTRAX INC AND SHALL NOT BE COPIED OR USED FOR MANUFACTURING WITHOUT IT'S WRITTEN CONSENT. EC-051216	DRAWN T.THORNE	DATE 5-18-2016	ALLTRAX INC ADAPTER ASY, FN-XCT TO YAMAHA YDRE XCT CONTROLLER	
	CHECKED			
MATERIAL: FINISH:	QA		SIZE B	FSCM NO.
	MFG		SCALE 1:1	DWG NO. CBL511-006-01-A_ASY-FN-XCT-YDRE
	APPROVED			REV A
				SHEET 1 of 1