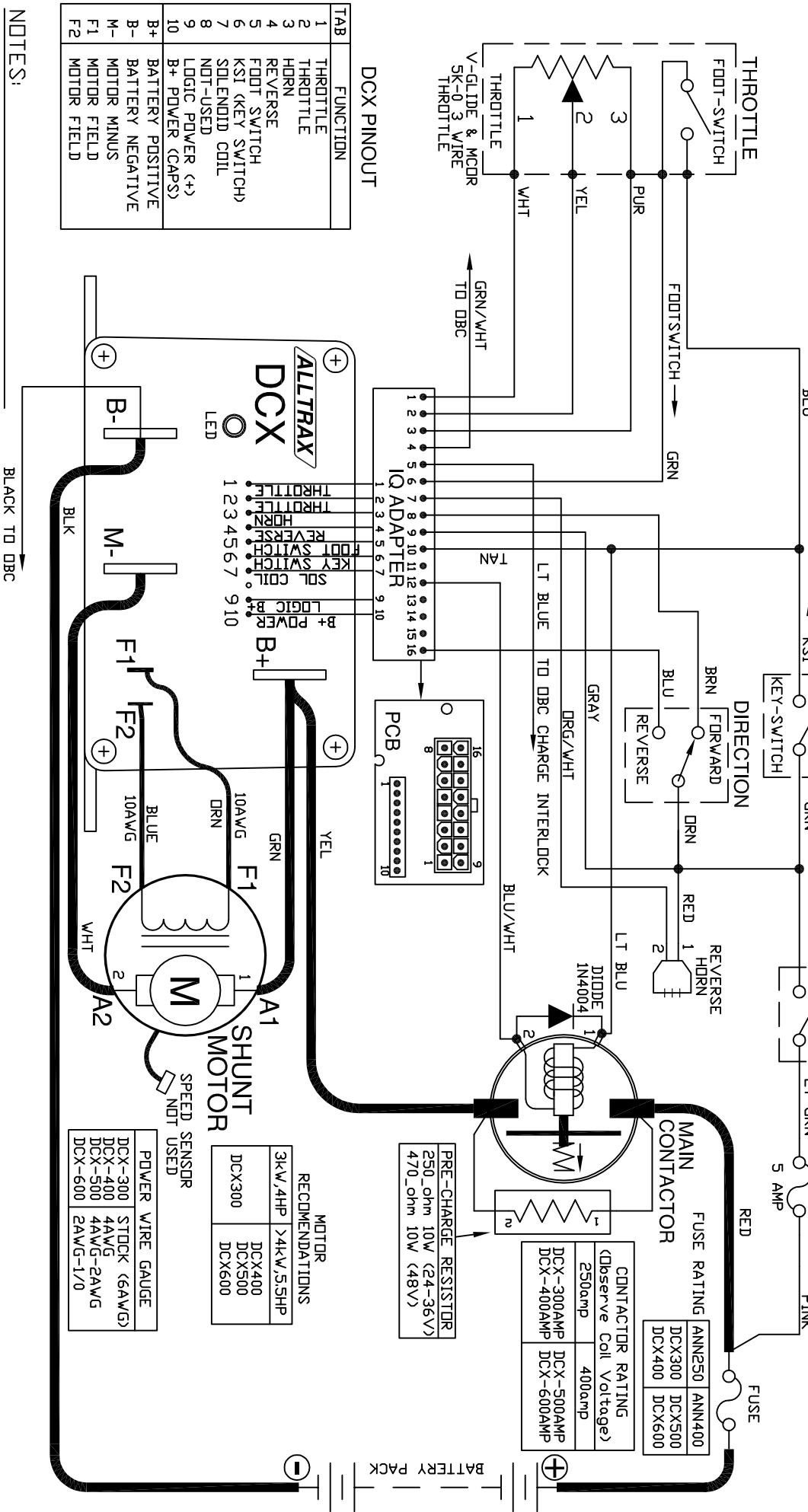


DCX to CLUB CAR IQ/PRECEDENT/2 FOR SHUNT (SEPARATELY-EXCITED) WOUND MOTORS (DCX products)



- NOTES:**
- * FUSES REQUIRED FOR ALL INSTALLATIONS
 - * DIODE REQUIRED ACROSS COILS / RELAYS
 - * TOW/RUN SWITCH PREVENTS REGEN WHILE TOWING
 - * ASSUMES FOOTSWITCH IS OPEN WHEN THROTTLE OFF
 - > ALLTRAX RESERVES THE RIGHT TO CHANGE DOCUMENTATION WITHOUT NOTICE
 - > ALLTRAX MAKES NO WARRANTY AS TO THE ACCURACY, SUFFICIENCY, OR SUITABILITY OF ANY TECHNICAL OR OTHER INFORMATION PROVIDED
 - > SEE OPERATORS MANUAL FOR MORE INFORMATION

REVISIONS			DWG SCALE: NTS	
REV.	ECO.	DATE	APVD	DRAWN
A		090407	090407	R. CSUK
B		102208	123008	D.Crockett

PROPRIETARY AND CONFIDENTIAL
THIS TECHNICAL DATA IS PROPRIETARY AND CONFIDENTIAL. IT IS TO BE REPRODUCED, RELEASED, OR DISCLOSED IN WHOLE OR IN PART WITHOUT THE WRITTEN PERMISSION OF ALLTRAX INC.

TITLE	1111 Cheney Creek Rd. Grants Pass, OR 97527 PHONE:(541) 476-3565
DCX to Club Car IQ WITH Separate Excited Motors - Wiring Dia	
SIZE DOCUMENT NO.	Doc100-054
REV.	
A	
S	
C	

FILE: _DWG--DCX--CLUBCAR--IQ--WIRE--DIA.DWG SHEET 1of1