

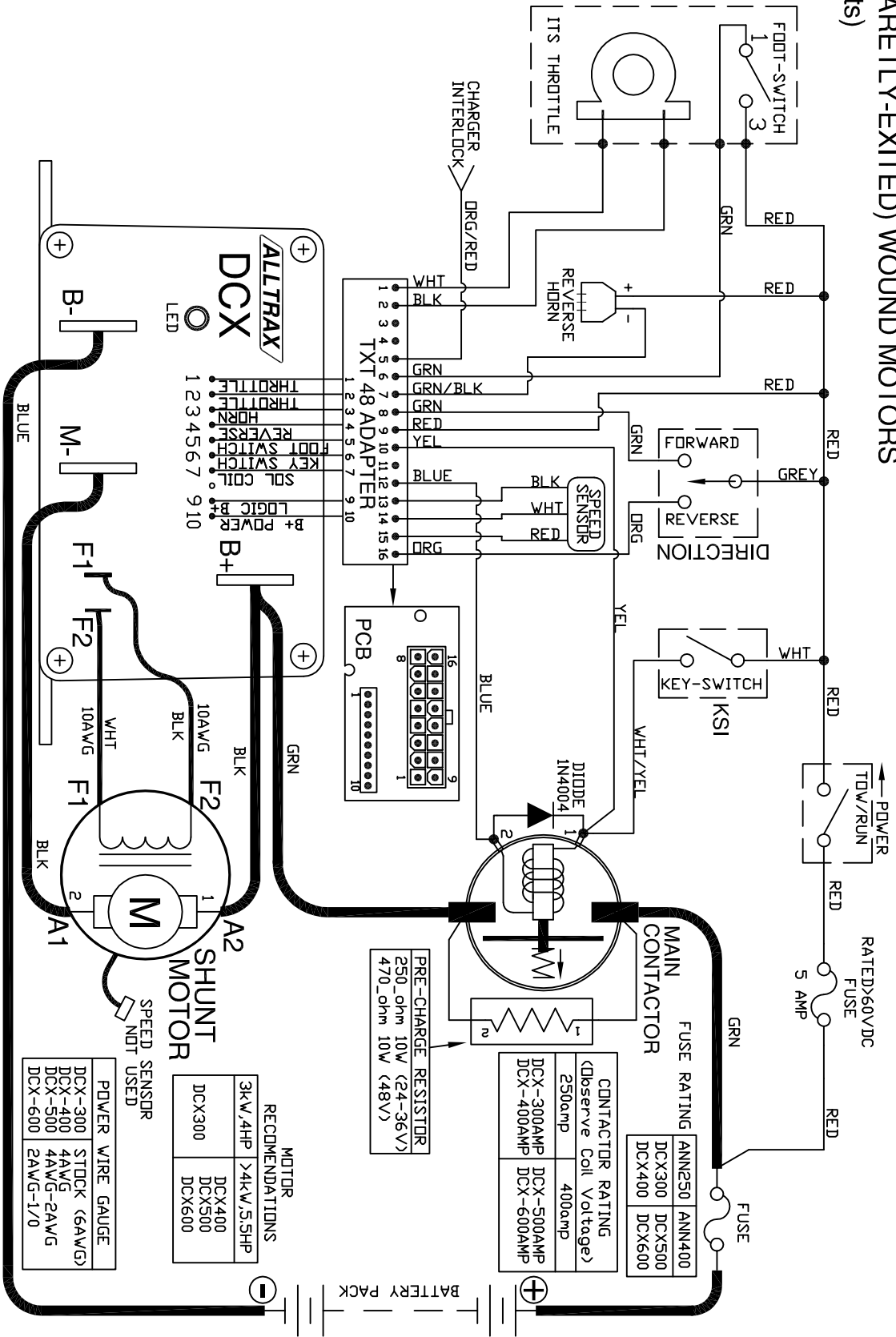
DCX to EZ-GO TXT 48

FOR SHUNT (SEPARATELY-EXCITED) WOUND MOTORS

(DCX products)

TAB	FUNCTION
1	THROTTLE
2	THROTTLE
3	HORN
4	REVERSE
5	FOOT SWITCH
6	KST (KEY SWITCH)
7	SOLENOID COIL
8	NOT-USED
9	LOGIC POWER (+)
10	B+ POWER (CARPS)
B+	BATTERY POSITIVE
B-	BATTERY NEGATIVE
M-	MOTOR MINUS
F1	MOTOR FIELD
F2	MOTOR FIELD

DCX PINOUT



NOTES:

- * FUSES REQUIRED FOR ALL INSTALLATIONS
- * DIODE REQUIRED ACROSS COILS / RELAYS
- * TOW/RUN SWITCH PREVENTS REGEN WHILE TOWING
- * ASSUMES FOOTSWITCH IS OPEN WHEN THROTTLE OFF
- > ALLTRAX RESERVES THE RIGHT TO CHANGE DOCUMENTATION WITHOUT NOTICE
- > ALLTRAX MAKES NO WARRANTY AS TO THE ACCURACY, SUFFICIENCY, OR SUITABILITY OF ANY TECHNICAL OR OTHER INFORMATION PROVIDED
- > SEE OPERATORS MANUAL FOR MORE INFORMATION

REVISIONS			DWG SCALE: NTS	
REV.	ECO.	DATE	DRAWN	R. CSUK
A			ENGR	D/Crockett

<p>THIS TECHNICAL DATA IS PROPRIETARY AND IS A TRADE SECRET OF ALLTRAX INC. ANY REPRODUCTION, RELEASE, OR DISCLOSURE IN WHOLE OR IN PART WITHOUT THE WRITTEN PERMISSION OF ALLTRAX INC. IS PROHIBITED.</p>	
<p>PROPRIETARY</p>	
<p>TITLE: DCX to EZGO TXT 48V</p>	
<p>Separately Excited Motors - Wiring Dia</p>	
SIZE	Doc100-110
DOC	S
REV.	A

FILE:	JMW-DCX-EZGO-TXT-48-WIRE-DIA	SHEET	1 of 1
-------	------------------------------	-------	--------

PART NO.	Doc100-110
----------	------------