

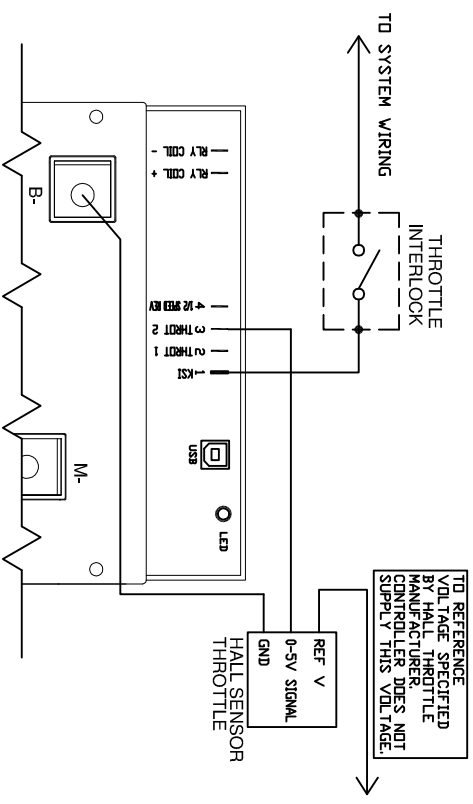
SPM THROTTLE WIRING DIAGRAMS

COMMON ALTERNATIVE THROTTLES USED ON SPM UNITS

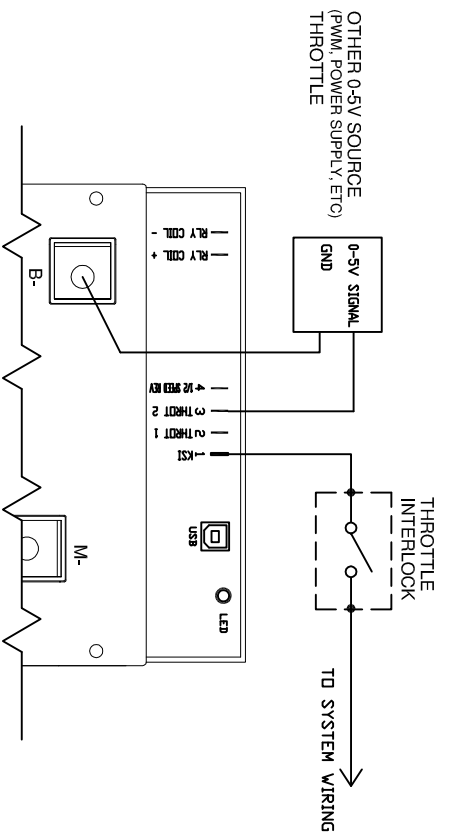
THESE DIAGRAMS SHOW THROTTLE WIRING ONLY
REFER TO CORRESPONDING GENERIC DRAWING FOR POWER AND SYSTEM WIRING

PART NO.	A
----------	---

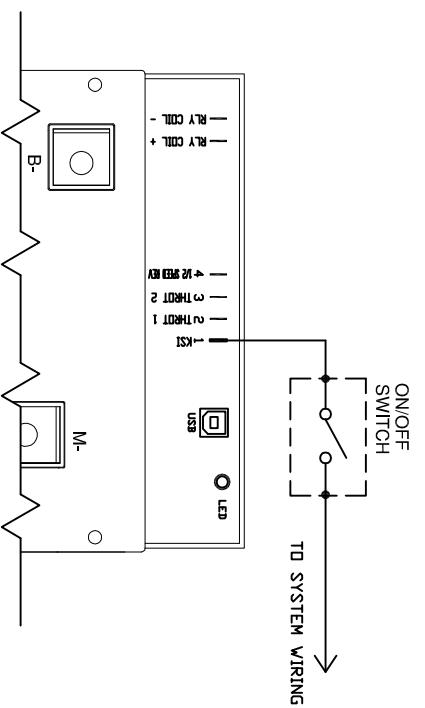
HALL SENSOR THROTTLE



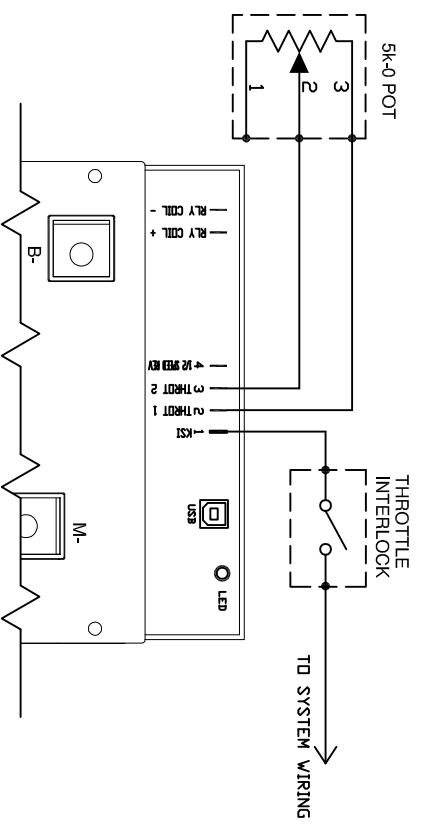
0-5V THROTTLE INPUT



PUMP MODE



5K-0 2 WIRE (NON CLUB CAR) THROTTLE



TAB	FUNCTION
1	KSI VOLTAGE
2	THROTTLE
3	THROTTLE
4	1/2 SPEED REVERSE
B+	BATTERY POSITIVE
B-	BATTERY NEGATIVE
M-	MOTOR MINUS

NOTES:
 * FUSES REQUIRED FOR ALL INSTALLATIONS
 * DIODE REQUIRED ACROSS COILS / RELAYS
 * PRE-CHARGE RESISTOR REQUIRED
 > ASSUMES FOOTSWITCH IS OPEN WHEN THROTTLE OFF
 > ALLTRAX RESERVES THE RIGHT TO CHANGE DOCUMENTATION WITHOUT NOTICE
 > ALLTRAX MAKES NO WARRANTY AS TO THE ACCURACY, SUFFICIENCY OR SUITABILITY OF ANY TECHNICAL OR OTHER INFORMATION PROVIDED
 > SEE OPERATORS MANUAL FOR MORE INFORMATION

REVISIONS			DWG SCALE: 1:1	
REV.	ECO.	DATE	DRAWN	R CSUK
A	012513	012513	RC	

11/15/12	11/15/12	11/15/12	11/15/12
ENG D CROCKETT	ENG D CROCKETT	ENG D CROCKETT	ENG D CROCKETT

PROPRIETARY
 THIS TECHNICAL DATA IS PROPRIETARY AND SHALL NOT BE REPRODUCED, RELEASED, OR DISCLOSED IN WHOLE OR IN PART WITHOUT THE WRITTEN PERMISSION OF ALLTRAX INC.

FILE:	DOC110-031-SPM-THROTTLE-WIRING-PAGE-1-10A	SHEET 1 OF 2
-------	---	--------------

ALLTRAX 1111 Cheney Creek Rd.
 Grants Pass, OR 97527
 PHONE:(541) 476-3565

TITLE
 SPM ALTERNATIVE THROTTLE WIRING PAGE 1
 Wiring Diagram

SIZE DOCUMENT NO.
 A S DOC110-031
 REV. A

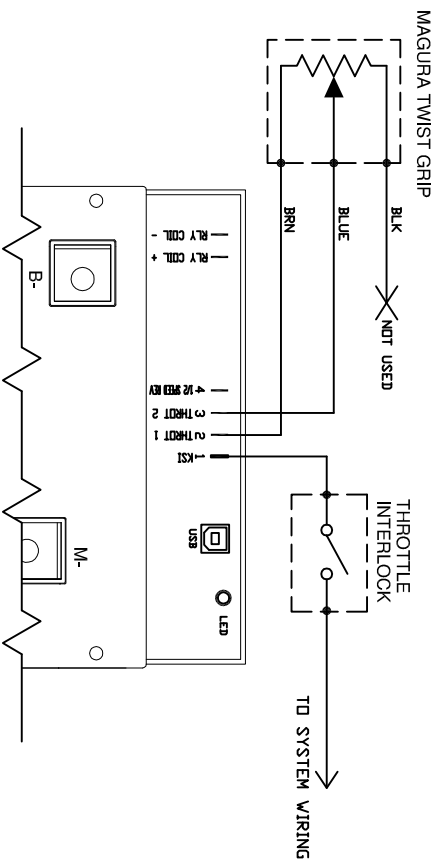
SPM THROTTLE WIRING DIAGRAMS

COMMON ALTERNATIVE THROTTLES USED ON SPM UNITS

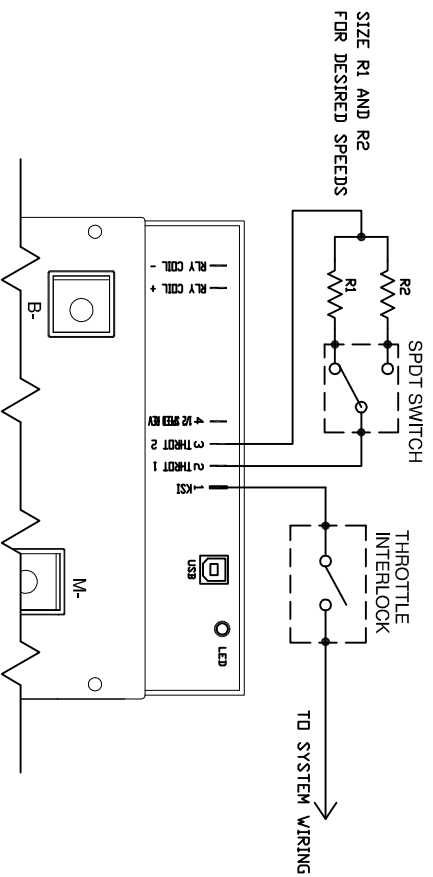
THESE DIAGRAMS SHOW THROTTLE WIRING ONLY
REFER TO CORRESPONDING GENERIC DRAWING FOR POWER AND SYSTEM WIRING

PART NO.	A
----------	---

MAGURA (0-5K) TWIST GRIP THROTTLE



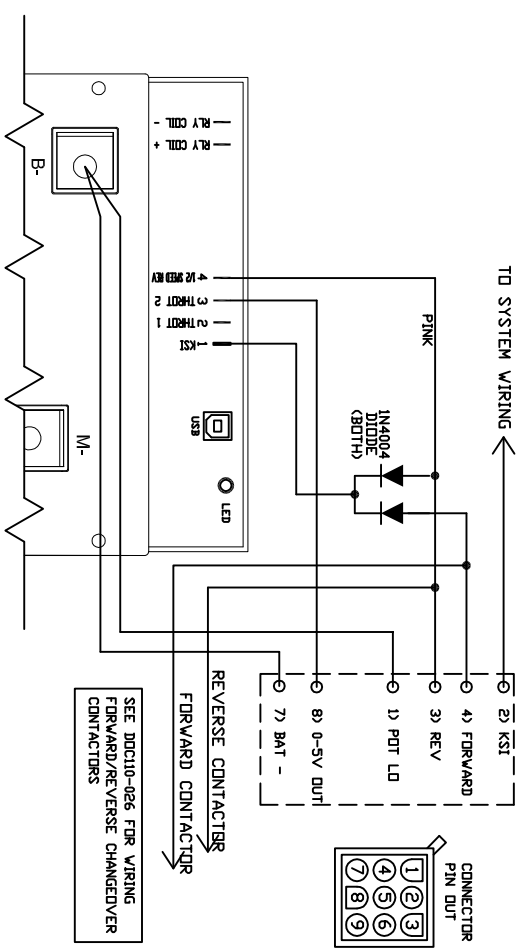
2 SPEED FIXED THROTTLE



TAB	FUNCTION
1	KSI VOLTAGE
2	THROTTLE
3	THROTTLE
4	1/2 SPEED REVERSE
B+	BATTERY POSITIVE
B-	BATTERY NEGATIVE
M-	MOTOR MINUS

NOTES:
 * FUSES REQUIRED FOR ALL INSTALLATIONS
 * DIODE REQUIRED ACROSS COILS / RELAYS
 * PRE-CHARGE RESISTOR REQUIRED
 > ASSUMES FOOTSWITCH IS OPEN WHEN THROTTLE OFF
 > ALLTRAX RESERVES THE RIGHT TO CHANGE DOCUMENTATION WITHOUT NOTICE
 > ALLTRAX MAKES NO WARRANTY AS TO THE ACCURACY, SUFFICIENCY OR SUITABILITY OF ANY TECHNICAL OR OTHER INFORMATION PROVIDED
 > SEE OPERATORS MANUAL FOR MORE INFORMATION

ET-134 (MARINE) THROTTLE



REVISIONS		DWG SCALE: 1:1		TITLE	
REV.	ECO.	DATE	APVD	DRAWN	R CSUK
A	012513	012513	RC	ENGR	D CROCKETT
THIS TECHNICAL DATA IS PROPRIETARY AND SHALL NOT BE REPRODUCED, RELEASED, OR DISCLOSED IN WHOLE OR IN PART WITHOUT THE WRITTEN PERMISSION OF ALLTRAX INC.					
DO NOT SCALE DRAWING					
ALLTRAX 1111 Cheney Creek Rd. Grants Pass, OR 97527 PHONE:(541) 476-3565					
SPM ALTERNATIVE THROTTLE WIRING PAGE 2 Wiring Diagram					
FILE:	DOC110-031	DOC110-031	DOC110-031	DOC110-031	DOC110-031
REV.	A	S	A	A	A
SHEET 2 OF 2					