

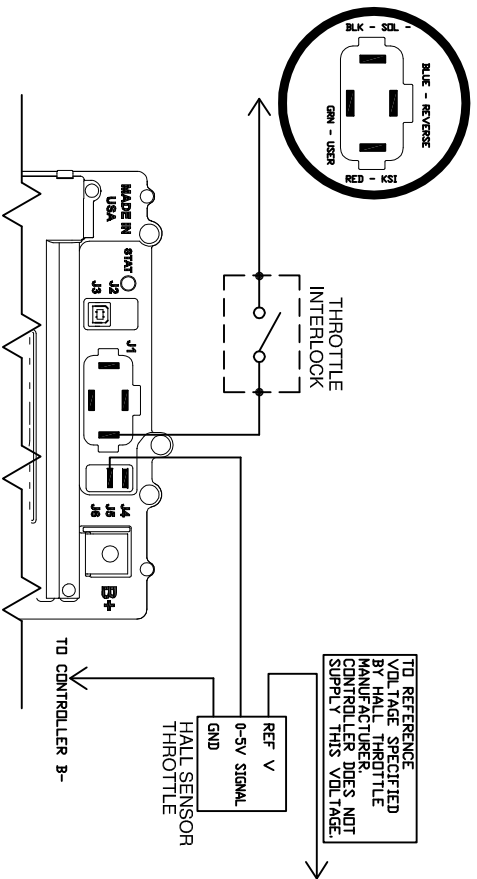
SR THROTTLE WIRING DIAGRAMS

COMMON ALTERNATIVE THROTTLES USED ON SR UNITS

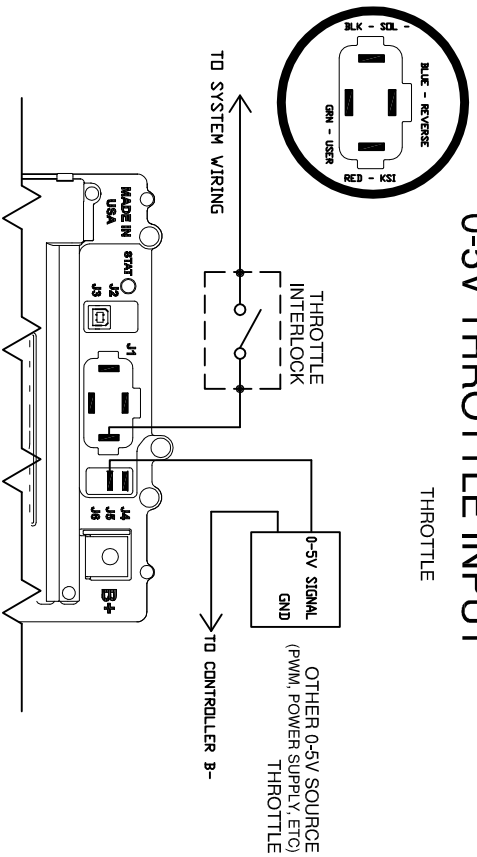
THESE DIAGRAMS SHOW THROTTLE WIRING ONLY
REFER TO CORRESPONDING GENERIC DRAWING FOR POWER AND SYSTEM WIRING

PART NO.	A
----------	---

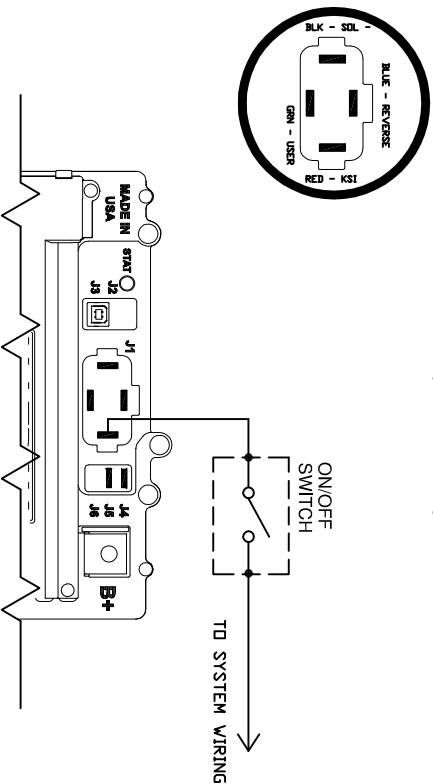
HALL SENSOR THROTTLE



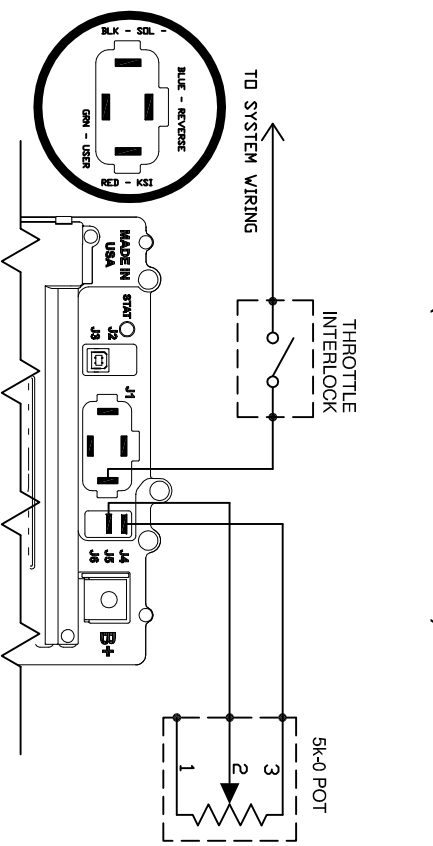
0-5V THROTTLE INPUT



PUMP MODE



5K-0 2 WIRE (NON CLUB CAR) THROTTLE



NOTES:

- * FUSES REQUIRED FOR ALL INSTALLATIONS
- * DIODE REQUIRED ACROSS COILS / RELAYS
- * PRE-CHARGE RESISTOR REQUIRED
- > ASSUMES FOOTSWITCH IS OPEN WHEN THROTTLE OFF WITHOUT NOTICE
- > ALLTRAX RESERVES THE RIGHT TO CHANGE DOCUMENTATION
- > ALLTRAX MAKES NO WARRANTY AS TO THE ACCURACY, SUFFICIENCY, OR SUITABILITY OF ANY TECHNICAL OR OTHER INFORMATION PROVIDED
- > SEE OPERATORS MANUAL FOR MORE INFORMATION

REVISIONS		DWG SCALE: 1:1		TITLE	
REV.	ECO.	DATE	APVD	DRAWN	R CSJK
A	012513	012513	RC	ENGR	D CROCKETT
<p>THIS TECHNICAL DATA IS PROPRIETARY AND SHALL NOT BE REPRODUCED, RELEASED, OR DISCLOSED IN WHOLE OR IN PART WITHOUT THE PERMISSION OF ALLTRAX INC.</p>					
FILE: 00010-045-LWB-08-THROTTLE-WIRING-002-1-0A		SHEET 1 OF 2		<p>ALLTRAX 1111 Cheney Creek Rd. Grants Pass, OR 97527 PHONE:(541) 476-3565</p>	
SR ALTERNATIVE THROTTLE WIRING PAGE 1		Wiring Diagram		REV. A	

DO NOT SCALE DRAWING