

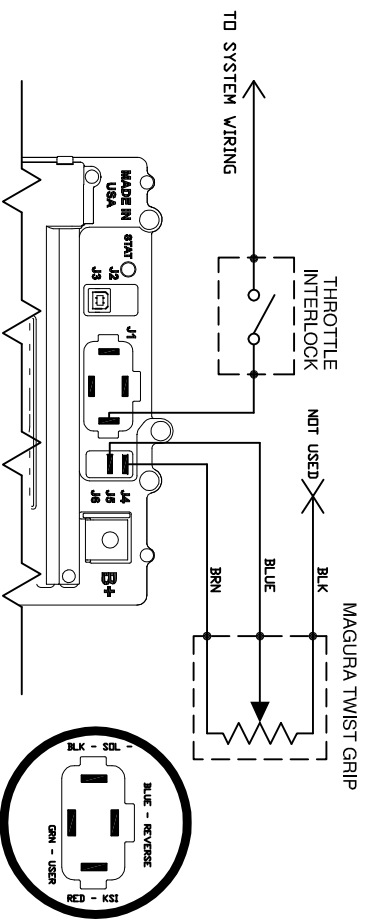
PART NO.	A
----------	---

# SR THROTTLE WIRING DIAGRAMS

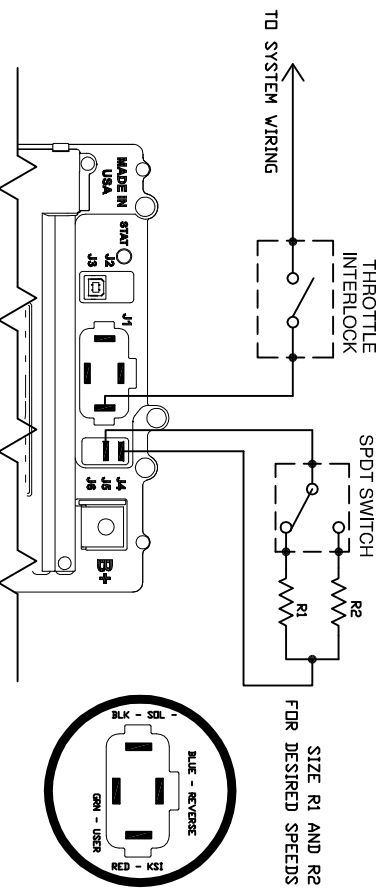
COMMON ALTERNATIVE THROTTLES USED ON SR UNITS

THESE DIAGRAMS SHOW THROTTLE WIRING ONLY  
REFER TO CORRESPONDING GENERIC DRAWING FOR POWER AND SYSTEM WIRING

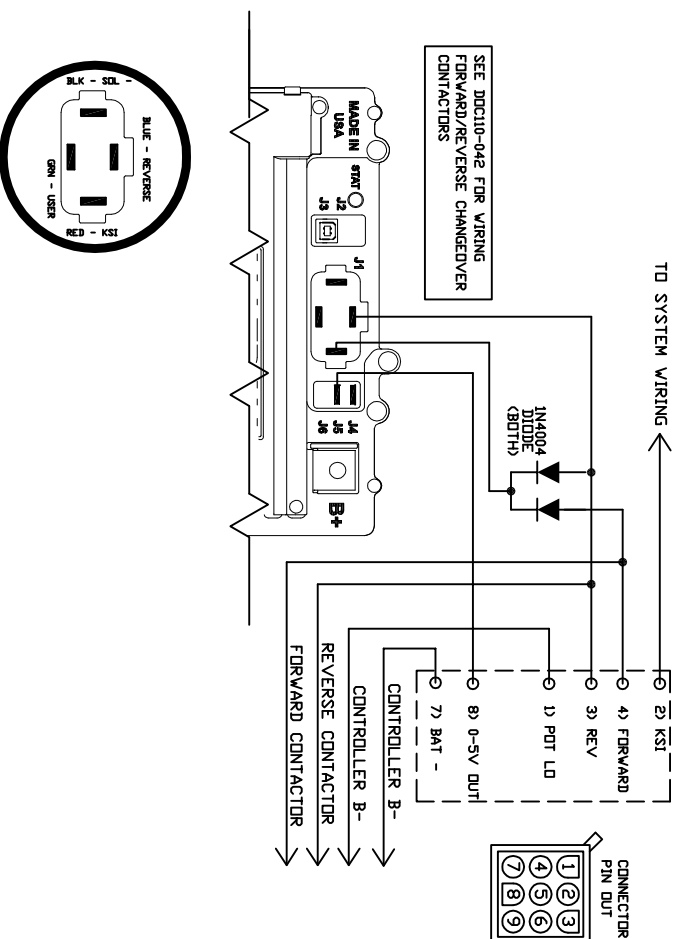
## MAGURA (0-5K) TWIST GRIP THROTTLE



## 2 SPEED FIXED THROTTLE



## ET-134 (MARINE) THROTTLE



### NOTES:

- \* FUSES REQUIRED FOR ALL INSTALLATIONS
- \* DIODE REQUIRED ACROSS COILS / RELAYS
- \* PRE-CHARGE RESISTOR REQUIRED
- > ASSUMES FOOTSWITCH IS OPEN WHEN THROTTLE OFF WITHOUT NOTICE
- > ALL TRAX RESERVES THE RIGHT TO CHANGE DOCUMENTATION
- > ALL TRAX MAKES NO WARRANTY AS TO THE ACCURACY, SUFFICIENCY OR SUITABILITY OF ANY TECHNICAL OR OTHER INFORMATION PROVIDED
- > SEE OPERATORS MANUAL FOR MORE INFORMATION

REVISIONS				DWG SCALE: 1:1		TITLE	
REV.	ECO.	DATE	APVD	DRAWN	R CSUK	040116	SR ALTERNATIVE THROTTLE WIRING PAGE 2
A	012513	012513	RC	ENGR	D CROCKETT	040116	
THIS TECHNICAL DATA IS PROPRIETARY AND SHALL NOT BE REPRODUCED, RELEASED, OR DISCLOSED IN WHOLE OR IN PART WITHOUT THE WRITTEN PERMISSION OF ALLTRAX INC.							
ALLTRAX 1111 Cheney Creek Rd. Grants Pass, OR 97527 PHONE: (541) 476-3565				DO NOT SCALE DRAWING			
FILE:	DOC110-045-000-00-THROTTLE-WIRING-PAGE-2-00		SHEET 2 OF 2	REV.	A		