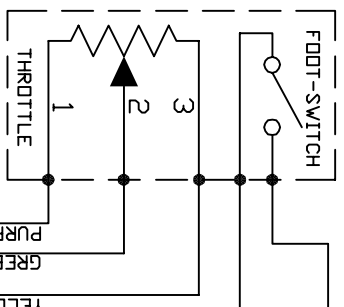
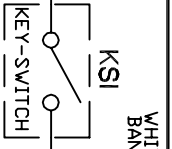


THROTTLE MAY INCLUDE INTERLOCKS NOT SHOWN

THROTTLE



KSI LOGIC POWER



| | | |
|-------------|--------|------|
| BATTERY VDC | 12-48V | 72V |
| FUSE VDC | 60V | 100V |
| FUSE RATING | | |

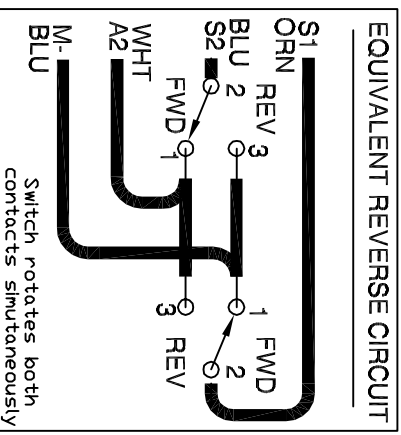
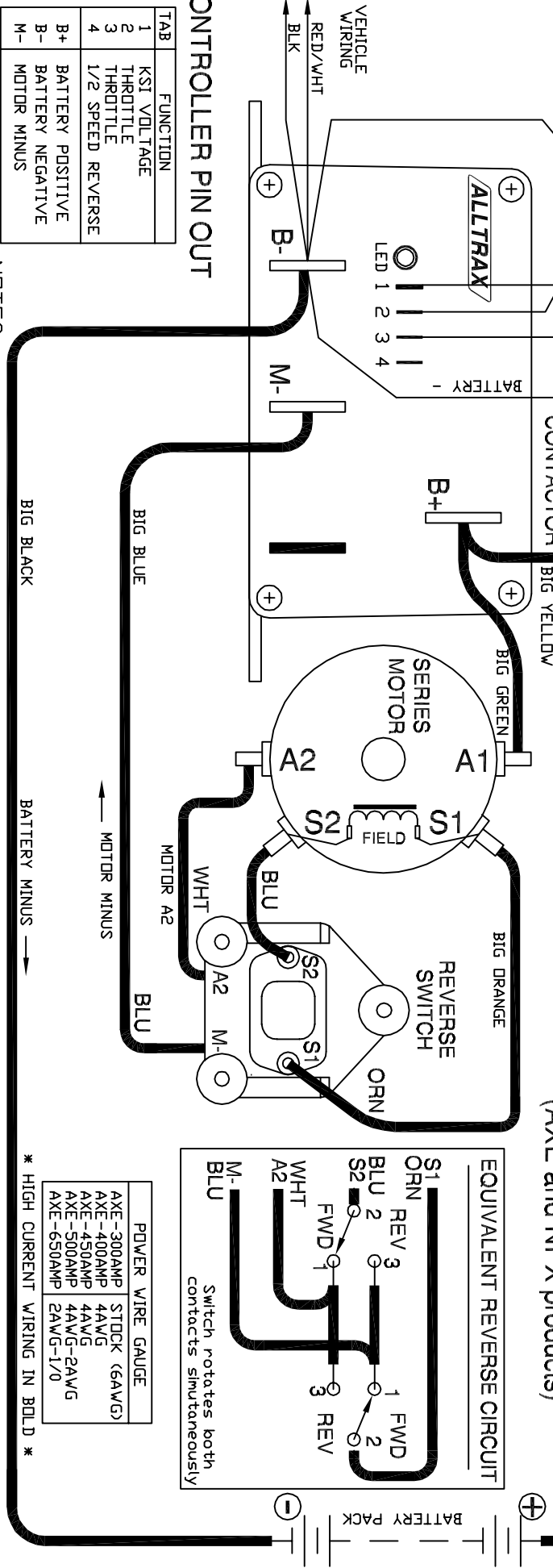
PART NO. Doc100-044
6/12/2007

AXE - CLUB CAR
Year: 1996 and NEWER
SERIES MOTOR
(AXE and NPX products)

| CONTACTOR RATING (Observe Coil Voltage) | AXE-300AMP | AXE-400AMP | AXE-450AMP | AXE-500AMP | AXE-650AMP |
|--|------------|------------|------------|------------|------------|
| 250amp | 400amp | 450amp | 500amp | 500amp | 500amp |

| PRE-CHARGE RESISTOR | 250_ohm 10W (24-36V) | 470_ohm 10W (48V) | 1000_ohm 10W (72V) |
|---------------------|----------------------|-------------------|--------------------|
|---------------------|----------------------|-------------------|--------------------|

| | |
|---------|---------|
| ANN250 | ANN400 |
| AXE-300 | AXE-450 |
| AXE-400 | AXE-500 |
| | AXE-650 |



| POWER WIRE GAUGE | STOCK (6AWG) |
|------------------|--------------|
| AXE-300AMP | 4AWG |
| AXE-400AMP | 4AWG |
| AXE-450AMP | 4AWG |
| AXE-500AMP | 4AWG-2AWG |
| AXE-650AMP | 2AWG-1/0 |

Switch rotates both contacts simultaneously

CONTROLLER PIN OUT

| TAB | FUNCTION |
|-----|-------------------|
| 1 | KSI VOLTAGE |
| 2 | THROTTLE |
| 3 | THROTTLE |
| 4 | 1/2 SPEED REVERSE |
| B+ | BATTERY POSITIVE |
| B- | BATTERY NEGATIVE |
| M- | MOTOR MINUS |

NOTES:

- * FUSES REQUIRED FOR ALL INSTALLATIONS
- * DIDDE REQUIRED ACROSS COILS OF RELAYS OR CONTACTORS
- * PRE-CHARGE RESISTOR REQUIRED
- > ASSUMES FOOTSWITCH IS OPEN WHEN THROTTLE OFF
- > ALLTRAX RESERVES THE RIGHT TO CHANGE DOCUMENTATION WITHOUT NOTICE
- > ALLTRAX MAKES NO WARRANTY AS TO THE ACCURACY, SUFFICIENCY, OR SUITABILITY OF ANY TECHNICAL OR OTHER INFORMATION PROVIDED
- > SEE OPERATORS MANUAL FOR MORE INFORMATION

BATTERY MINUS

BIG BLACK

BIG BLUE

BIG DRANGE

BIG RED

BIG YELLOW

BIG GREEN

BATTERY MINUS

* HIGH CURRENT WIRING IN BOLD *

DO NOT SCALE DRAWING

| REVISIONS | | DWG SCALE: NTS | |
|-----------|--------|----------------|------|
| REV. | ECO. | DATE | APVD |
| A | 010407 | 010407 | TT |
| B | 090407 | 090407 | TT |

| | | |
|------|------------|--------|
| ENGR | D.Crockett | 110706 |
|------|------------|--------|

PROPRIETARY AND TO ALLIANCE INC. THIS TECHNICAL DATA IS UNCLASSIFIED AND IS RELEASED OR DISCLOSED IN THE COURSE OF BUSINESS AND IN THE COURSE OF SERVICE.

ALLTRAX 1111 Cheney Creek Rd. Grants Pass, OR 97527 PHONE:(541) 478-3565

TITLE: AXE-Club Car 1996 and Newer Wiring Diagram

SIZE: DOCUMENT NO. A Doc100-044

REV. B

FILE: DWG-AXE-Clubcar-1996-wire-dwg SHEET 1of1