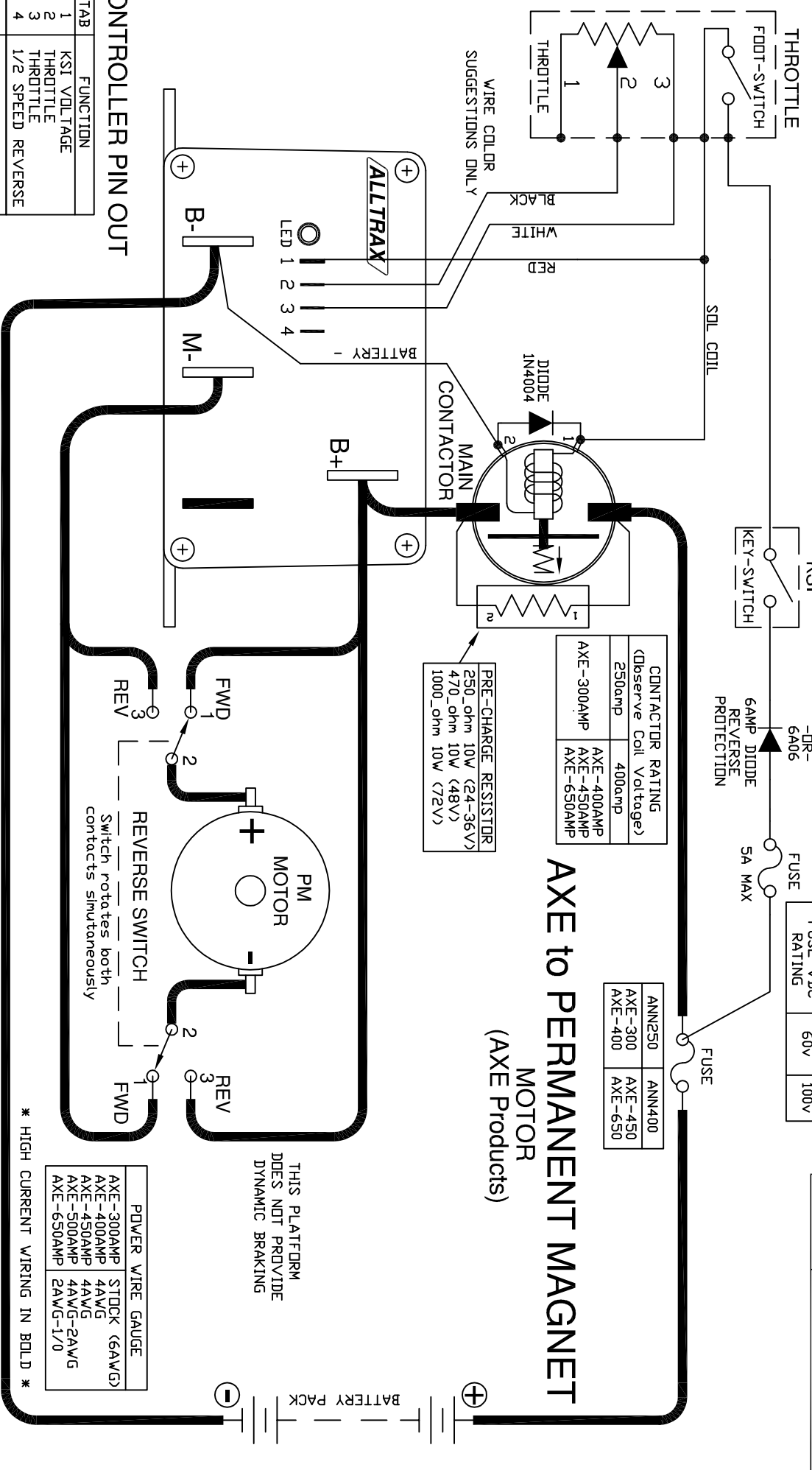


BATTERY VDC	12-48V	72V
FUSE VDC RATING	60V	100V



CONTROLLER PIN OUT

TAB	FUNCTION
1	KSI VOLTAGE
2	THROTTLE
3	THROTTLE
4	1/2 SPEED REVERSE
B+	BATTERY POSITIVE
B-	BATTERY NEGATIVE
M-	MOTOR MINUS

- NOTES:**
- * FUSES REQUIRED FOR ALL INSTALLATIONS
 - * DIODE REQUIRED ACROSS COILS / RELAYS
 - * PRE-CHARGE RESISTOR REQUIRED
 - > ASSUMES FOOTSWITCH IS OPEN WHEN THROTTLE OFF
 - > ALLTRAX RESERVES THE RIGHT TO CHANGE DOCUMENTATION WITHOUT NOTICE
 - > ALLTRAX MAKES NO WARRANTY AS TO THE ACCURACY, SUFFICIENCY, OR SUITABILITY OF ANY TECHNICAL OR OTHER INFORMATION PROVIDED
 - > SEE OPERATORS MANUAL FOR MORE INFORMATION

REVISIONS			DWG SCALE: NTS	
REV.	ECO.	DATE	APVD	DRAWN
	A	010407	010407	TT
			ENGR	D.Crockett
			111706	111706
<p>THIS TECHNICAL DATA IS PROPRIETARY AND SHALL NOT BE REPRODUCED, RELEASED, OR DISCLOSED IN WHOLE OR IN PART WITHOUT THE WRITTEN PERMISSION OF ALLTRAX INC.</p>				
<p>ALLTRAX 1111 Cheney Creek Rd. Grants Pass, OR 97527 PHONE:(541) 476-3565</p>				
<p>TITLE: AXE-Permanent Magnet w/Manual Reverse Wiring Diagram</p>				
FILE:	SIZE	DOC	REV.	SHEET
_DWG-AXE-FarmMag-wire-dwg.dwg	A	S	Doc100-047	A
DO NOT SCALE DRAWING				