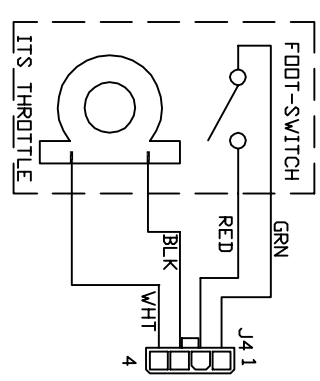
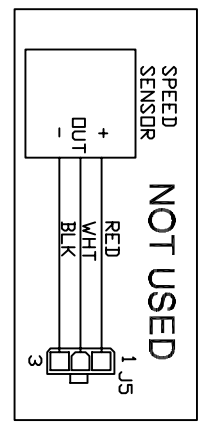


DCX to E-Z-GO-PDS

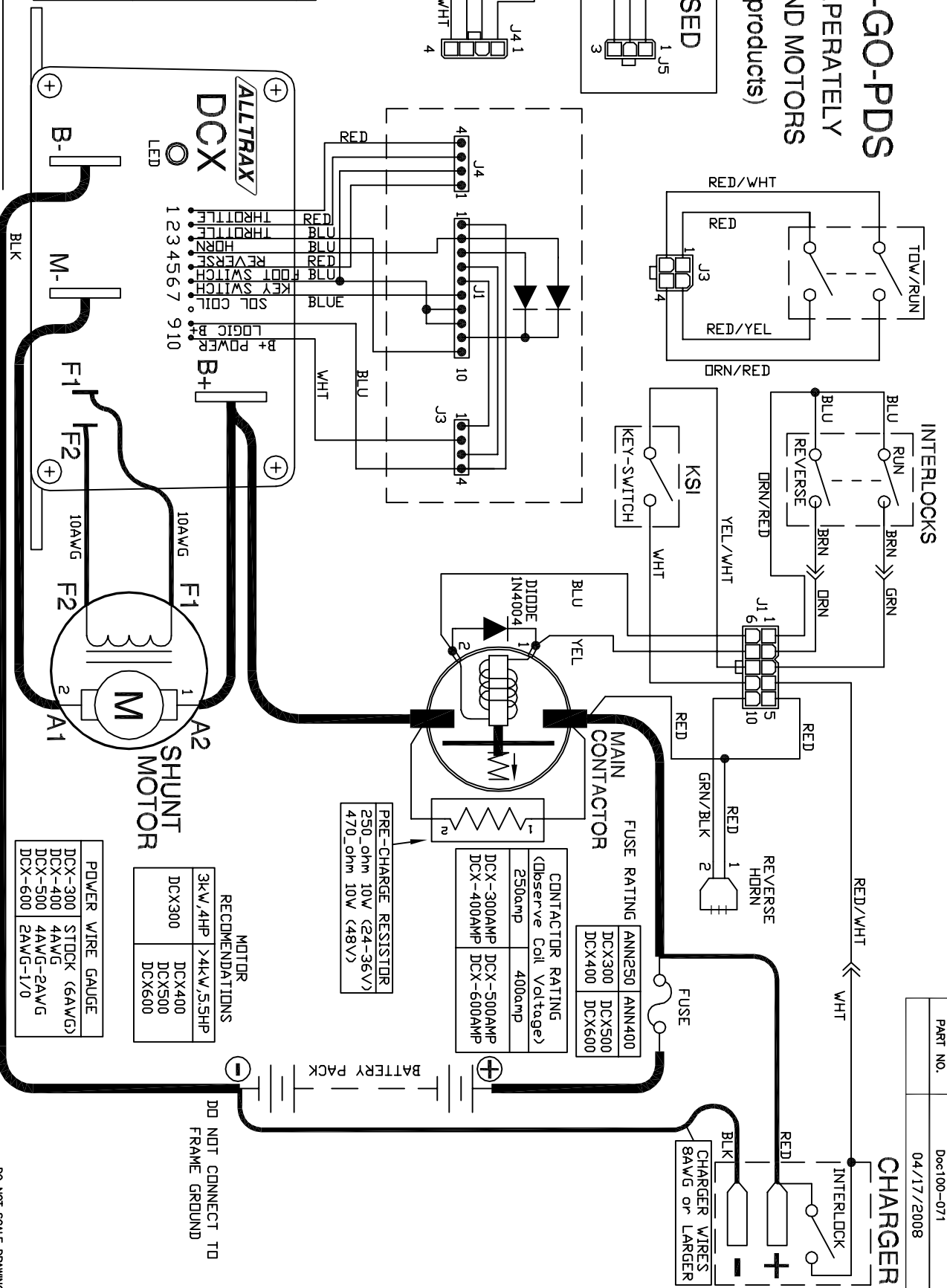
FOR SHUNT (SEPERATELY EXCITED) WOUND MOTORS (DCX and NCX products)



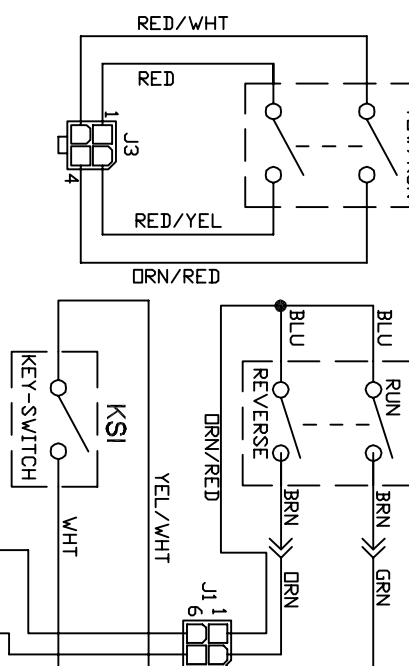
| TAB | FUNCTION |
|-----|------------------|
| 1 | THRDTTLE |
| 2 | THRDTTLE |
| 3 | HDNR |
| 4 | REVERSE |
| 5 | FDOT SWITCH |
| 6 | KSI (KEY SWITCH) |
| 7 | SOLENOID COIL |
| 8 | NOT-USED |
| 9 | LOGIC POWER (+) |
| 10 | B+ POWER (CAPS) |
| B+ | BATTERY POSITIVE |
| B- | BATTERY NEGATIVE |
| M- | MOTOR MINUS |
| F1 | MOTOR FIELD |
| F2 | MOTOR FIELD |

NOTES:

- * FUSES REQUIRED FOR ALL INSTALLATIONS
- * DIODE REQUIRED ACROSS COILS / RELAYS
- * TOW/RUN SWITCH PREVENTS REGEN WHILE TOWING
- > ASSUMES FDOTSWITCH IS OPEN WHEN THRDTTLE OFF WITHOUT NOTICE
- > ALLTRAX RESERVES THE RIGHT TO CHANGE DOCUMENTATION
- > ALLTRAX MAKES NO WARRANTY AS TO THE ACCURACY, SUFFICIENCY, OR SUITABILITY OF ANY TECHNICAL OR OTHER INFORMATION PROVIDED
- > SEE OPERATORS MANUAL FOR MORE INFORMATION



INTERLOCKS



FUSE RATING

| | |
|--------|--------|
| ANN250 | ANN400 |
| DCX300 | DCX500 |
| DCX400 | DCX600 |

| CONTRACTOR RATING (Observe Coil Voltage) | DCX-300AMP | DCX-500AMP | DCX-400AMP | DCX-600AMP |
|--|------------|------------|------------|------------|
| 250amp | | | | |
| 400amp | | | | |

PRE-CHARGE RESISTOR
250 ohm 10W (24-36V)
470 ohm 10W (48V)

MOTOR RECOMMENDATIONS

| MOTOR | DCX400 | DCX500 | DCX600 |
|---------|------------|--------|--------|
| 3kW,4HP | >4kW,5.5HP | | |
| DCX300 | | | |

POWER WIRE GAUGE

| DCX | STOCK (6AWG) | DCX-300 | DCX-400 | DCX-500 | DCX-600 |
|-----|--------------|---------|-----------|----------|----------|
| | 4AWG | 4AWG | 4AWG-2AWG | 2AWG-1/0 | 2AWG-1/0 |

DO NOT SCALE DRAWING

ALLTRAX
1111 Cheney Creek Rd.
Grants Pass, OR 97327
PHONE:(541) 476-3565

TITLE
DCX to E-Z-GO PDS Car
Wiring Diagram

| REVISIONS | | | |
|-----------|-------|--------|------|
| REV. | ECO. | DATE | APVD |
| A | 41708 | 041708 | RC |

| DWG SCALE: NTS | |
|----------------|------------|
| DRAWN | ENGR |
| R. Csuk | D.Crockett |

| SIZE | DOCUMENT NO. | REV. |
|------|--------------|------|
| A | S | A |