

TAB	FUNCTION
1	KST VOLTAGE
2	THROTTLE
3	THROTTLE
4	1/2 SPEED REVERSE
B+	BATTERY POSITIVE
B-	BATTERY NEGATIVE
M-	MOTOR MINUS
A2	MOTOR ARMATURE (-)

CONTROLLER PIN OUT

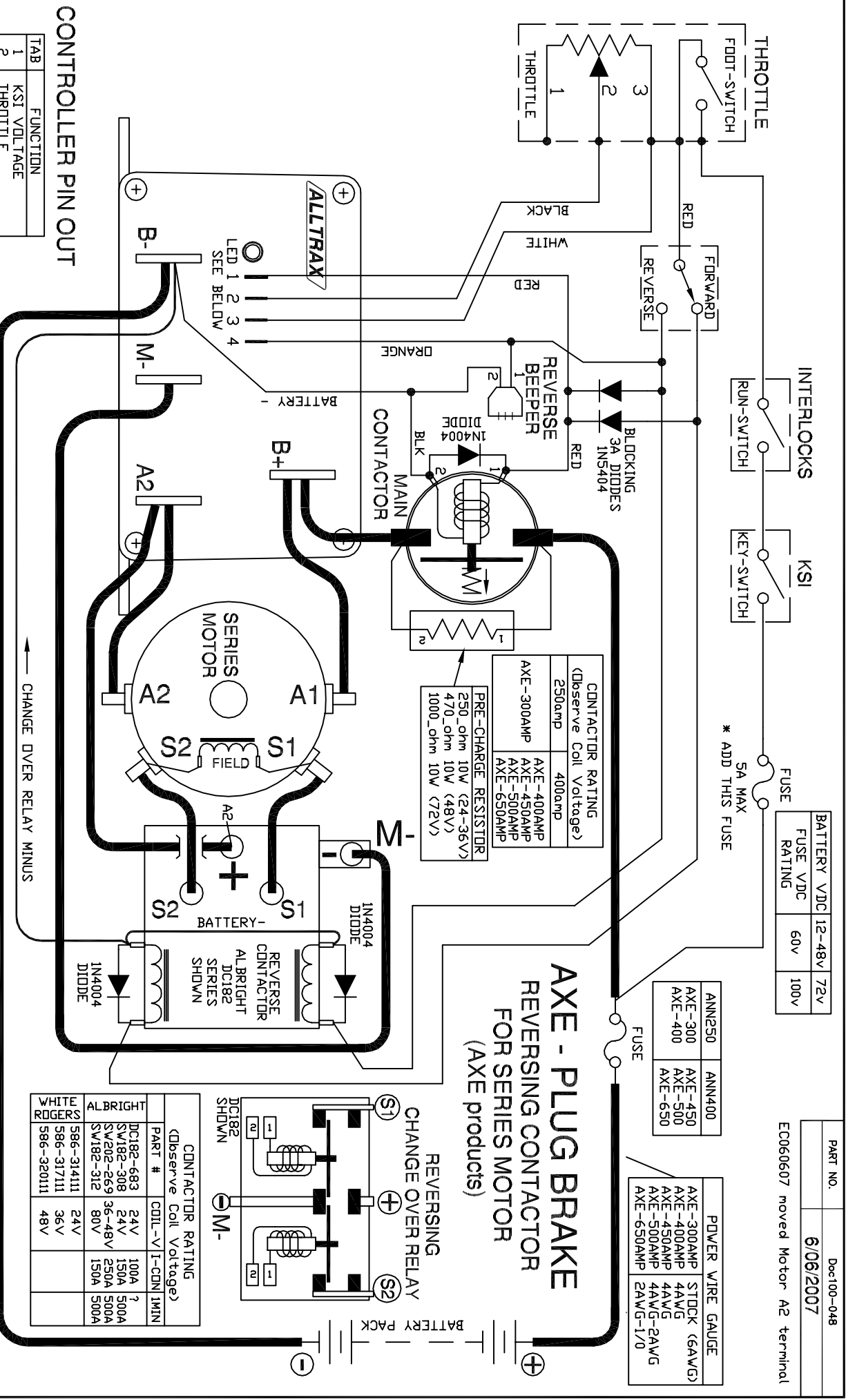
- NOTES:**
- * FUSES REQUIRED FOR ALL INSTALLATIONS
 - * DIODE REQUIRED ACROSS COILS / RELAYS
 - * PRE-CHARGE RESISTOR REQUIRED
 - > ASSUMES FOOTSWITCH IS OPEN WHEN THROTTLE OFF
 - > ALLTRAX RESERVES THE RIGHT TO CHANGE DOCUMENTATION WITHOUT NOTICE
 - > ALLTRAX MAKES NO WARRANTY AS TO THE ACCURACY, SUFFICIENCY, OR STABILITY OF ANY TECHNICAL OR OTHER INFORMATION PROVIDED
 - > SEE OPERATORS MANUAL FOR MORE INFORMATION

REV.	ECO.	DATE	APVD
A	010407	010407	TT
B	090407	090407	TT

REV.	ECO.	DATE	APVD
A	010407	010407	TT
B	090407	090407	TT

REV.	ECO.	DATE	APVD
A	010407	010407	TT
B	090407	090407	TT

DO NOT SCALE DRAWING
 * HIGH CURRENT WIRING IN BOLD *
 DWG SCALE: NTS
 DRAWN: T.Thorne
 ENGR: D.Crockett
 111406
 PROPRIETARY
 THIS TECHNICAL DATA IS PROPRIETARY
 AND TO ALLTRAX INC. IT IS NOT TO BE
 REPRODUCED, COPIED, OR DISCLOSED
 IN ANY MANNER WITHOUT THE WRITTEN
 PERMISSION OF ALLTRAX INC.



AXE - PLUG BRAKE REVERSING CONTACTOR FOR SERIES MOTOR (AXE products)

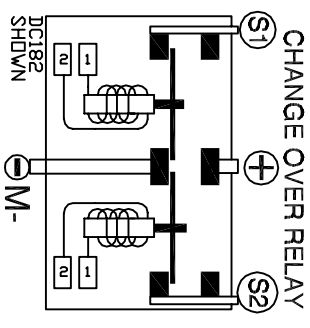
BATTERY VDC	12-48V	72V
FUSE RATING	60V	100V

AXE-300	AXE-400	AXE-450	AXE-500	AXE-550	AXE-650
ANN250	ANN400	ANN450	ANN500	ANN550	ANN650

AXE-300AMP	AXE-400AMP	AXE-450AMP	AXE-500AMP	AXE-550AMP	AXE-650AMP
STDC (6AWG)	44WG	44WG	44WG-2AWG	44WG-2AWG	2AWG-1/0

CONTACTOR RATING (Observe Coil Voltage)	AXE-300AMP	AXE-400AMP	AXE-450AMP	AXE-500AMP	AXE-550AMP	AXE-650AMP
250amp	400amp	400amp	400amp	400amp	400amp	400amp

PRE-CHARGE RESISTOR	AXE-300AMP	AXE-400AMP	AXE-450AMP	AXE-500AMP	AXE-550AMP	AXE-650AMP
250_ohm 10W (24-36V)	470_ohm 10W (48V)	1000_ohm 10W (72V)	1000_ohm 10W (72V)	1000_ohm 10W (72V)	1000_ohm 10W (72V)	1000_ohm 10W (72V)



PART #	COIL-VI-COIL 1MIN	100A	150A	250A	500A
DC182-683	24V	100A	150A	250A	500A
SV182-308	24V	100A	150A	250A	500A
SW202-869	36-48V	100A	150A	250A	500A
SV182-312	80V	100A	150A	250A	500A
586-31411	24V	100A	150A	250A	500A
586-31711	36V	100A	150A	250A	500A
586-32011	48V	100A	150A	250A	500A

PART NO. Doc100-048
 6/06/2007

EC060607 moved Motor A2 terminal