

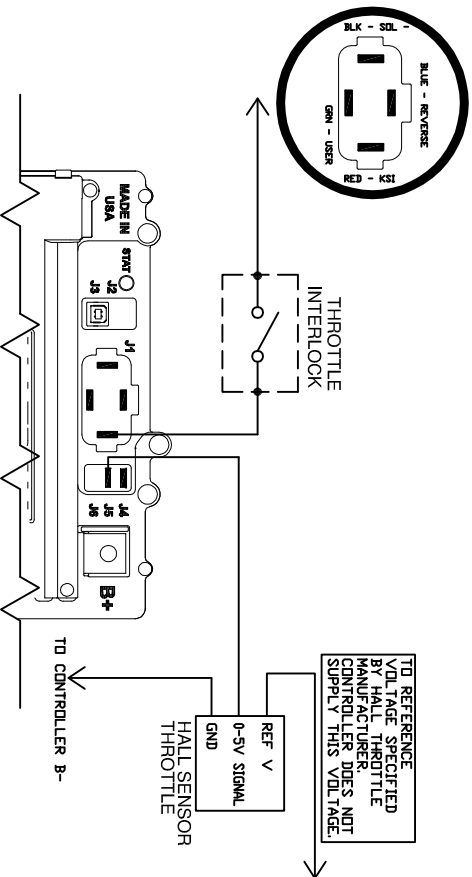
# SR THROTTLE WIRING DIAGRAMS

COMMON ALTERNATIVE THROTTLES USED ON SR UNITS

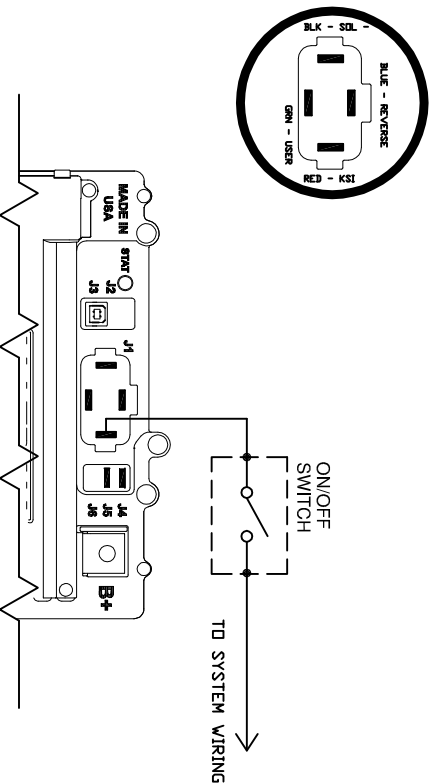
THESE DIAGRAMS SHOW THROTTLE WIRING ONLY  
REFER TO CORRESPONDING GENERIC DRAWING FOR POWER AND SYSTEM WIRING

PART NO.	A
----------	---

## HALL SENSOR THROTTLE

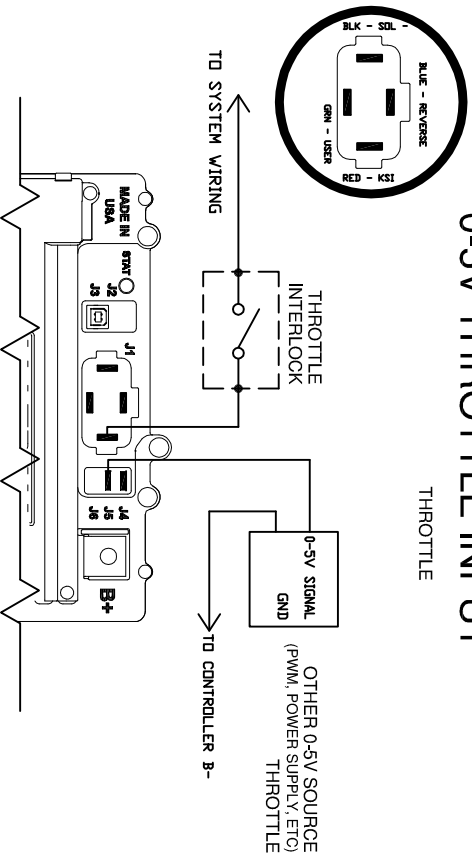


## PUMP MODE

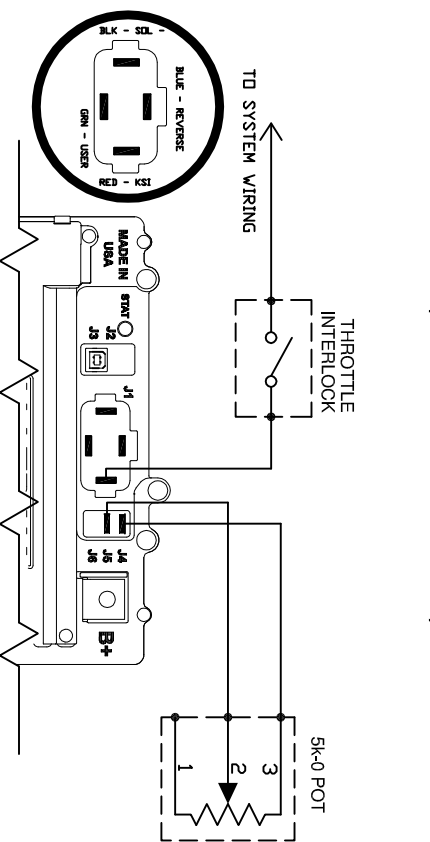


- NOTES:
- \* FUSES REQUIRED FOR ALL INSTALLATIONS
  - \* DIODE REQUIRED ACROSS COILS / RELAYS
  - \* PRE-CHARGE RESISTOR REQUIRED
  - \* KSI IS REQUIRED TO BE A SWITCHED INPUT, NOT RESISTIVE
  - > ASSUMES FOOTSWITCH IS OPEN WHEN THROTTLE OFF
  - > ALLTRAX RESERVES THE RIGHT TO CHANGE DOCUMENTATION WITHOUT NOTICE
  - > ALLTRAX MAKES NO WARRANTY AS TO THE ACCURACY, SUFFICIENCY, SUITABILITY OR ANY TECHNICAL OR OTHER INFORMATION PROVIDED
  - > SEE OPERATORS MANUAL FOR MORE INFORMATION

## 0-5V THROTTLE INPUT



## 5K-0 2 WIRE (NON CLUB CAR) THROTTLE



REVISIONS				DWG SCALE: 1:1		PROPRIETARY		TITLE			
REV.	ECO.	DATE	APVD	DRAWN	R CSUK	040116	THIS TECHNICAL DATA IS PROPRIETARY AND IS THE PROPERTY OF ALLTRAX INC. REPRODUCTION, RELEASE, OR DISCLOSURE IN ANY MANNER WITHOUT THE WRITTEN PERMISSION OF ALLTRAX INC.		SIZE	DOC	REV.
A		012513	RC				SR ALTERNATIVE THROTTLE WIRING PAGE 1		A		
B		032217	RC				Wiring Diagram		S	DOC110-045	B

DO NOT SCALE DRAWING

1111 Cheney Creek Rd.  
Grants Pass, OR 97527  
PHONE:(541) 476-3565

FILE: D0C10-045-LINK-08-THROTTLE-WIRING-PAGE-1-04 SHEET 1 OF 2

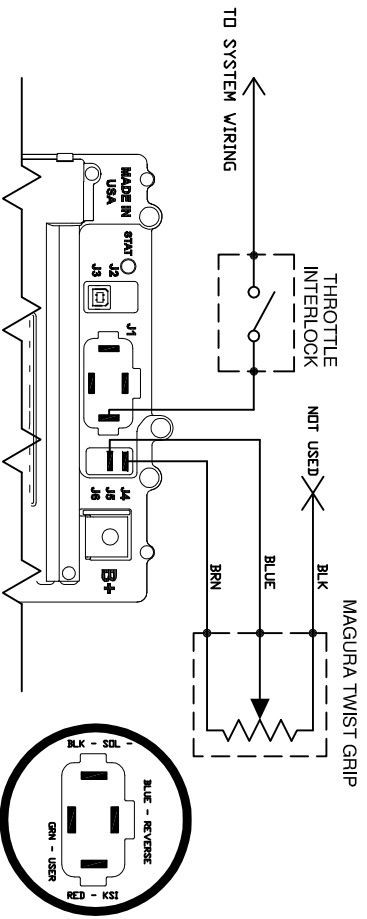
PART NO.	A
----------	---

# SR THROTTLE WIRING DIAGRAMS

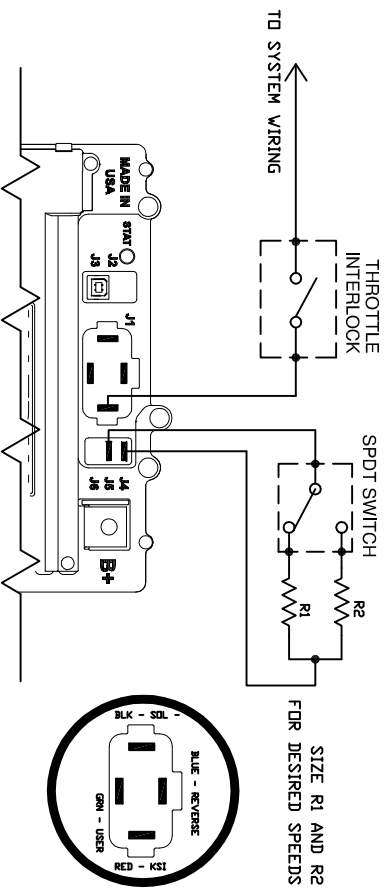
COMMON ALTERNATIVE THROTTLES USED ON SR UNITS

THESE DIAGRAMS SHOW THROTTLE WIRING ONLY  
REFER TO CORRESPONDING GENERIC DRAWING FOR POWER AND SYSTEM WIRING

## MAGURA (0-5K) TWIST GRIP THROTTLE



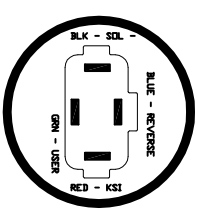
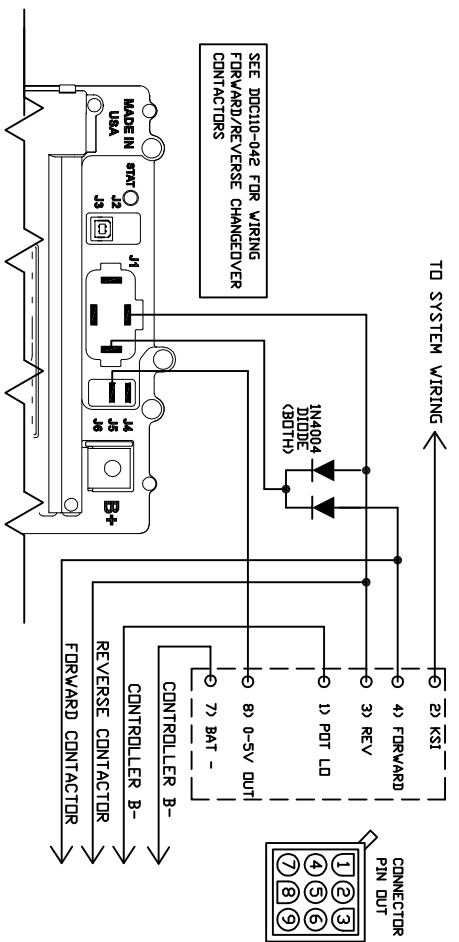
## 2 SPEED FIXED THROTTLE



### NOTES:

- \* FUSES REQUIRED FOR ALL INSTALLATIONS
- \* DIODE REQUIRED ACROSS COILS / RELAYS
- \* PRE-CHARGE RESISTOR REQUIRED
- \* KSI IS REQUIRED TO BE A SWITCHED INPUT, NOT RESISTIVE
- > ASSUMES FOOTSWITCH IS OPEN WHEN THROTTLE OFF
- > ALLTRAX RESERVES THE RIGHT TO CHANGE DOCUMENTATION WITHOUT NOTICE
- > ALLTRAX MAKES NO WARRANTY AS TO THE ACCURACY, SUFFICIENCY, OR SUITABILITY OF ANY TECHNICAL OR OTHER INFORMATION PROVIDED
- > SEE OPERATORS MANUAL FOR MORE INFORMATION

## ET-134 (MARINE) THROTTLE



REVISIONS				DWG SCALE: 1:1		DO NOT SCALE DRAWING	
REV.	ECO.	DATE	APVD	DRAWN	R CSUK	040116	
A	012513	012513	RC	ENGR	D CROCKETT	040116	
B	032217	032217	RC	PROPRIETARY THIS TECHNICAL DATA IS PROPRIETARY AND SHALL NOT BE REPRODUCED, RELEASED, OR DISCLOSED IN WHOLE OR IN PART WITHOUT THE PERMISSION OF ALLTRAX INC.			
				TITLE		SR ALTERNATIVE THROTTLE WIRING PAGE 2	
				SIZE DOCUMENT NO.		A S DOC110-045	
				REV.		B	
				FILE:		DOC110-045-LIB-08-THROTTLE-WIRING-PAGE-2-0A	
						SHEET 2 OF 2	

1111 Cheney Creek Rd.  
Grants Pass, OR 97527  
PHONE:(541) 476-3565



SR ALTERNATIVE THROTTLE WIRING PAGE 2  
Wiring Diagram